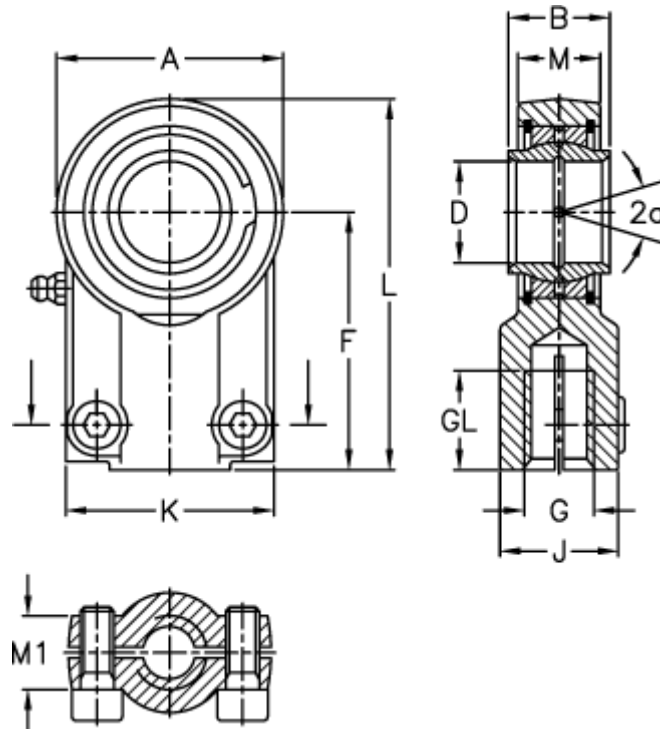


Article number: 03551016

Description: Fluro hydraulic rod end FPR 16CE

Measures



A	= 40	J	= 21
a (degrees)	= 4	K	= 40
B	= 16	L	= 64
D	= 16	M	= 13.8
Dynamic load C (kN)	= 17.600000000000001	M1	= 15
F	= 44	Static load C0 (kN)	= 36.5
g	= M14x1,5	Torque (N m)	= 10
GL	= 19	Weight	= 210